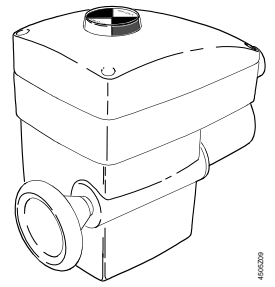
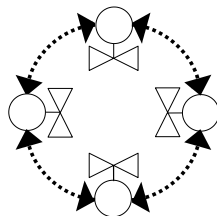
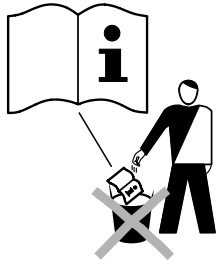


**de** Montageanleitung  
**en** Mounting instructions  
**fr** Instructions de montage  
**sv** Monteringsinstruktion  
**nl** Montage-handleiding  
**it** Istruzioni di montaggio  
**fi** Asennusohje  
**es** Instrucciones de montaje  
**da** Monteringsvejledning  
**pl** Instrukcja montażu  
**cz** Montážní návod  
**hu** Szerelési útmutató  
**el** Οδηγίες εγκατάστασης  
**ru** Инструкция по установке  
**zh** 安裝指導

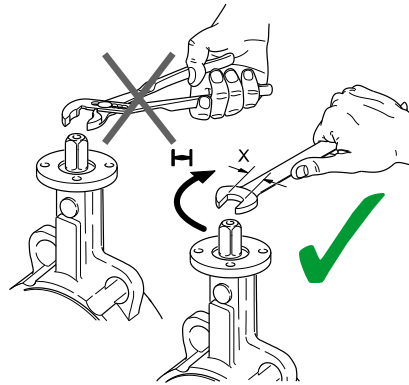
**Stellantriebe**  
**Actuators**  
**Servomoteurs**  
**Ställdon**  
**Servomotoren**  
**Servocomandi**  
**Toimimoottorit**  
**Actuadores**  
**Motorer**  
**Silowniki**  
**Pohony**  
**Motorok**  
**Κινητήρες**  
**Приводы**  
 执行器



**SQL36E50...**  
**SQL36E65**  
**SQL36E110**  
**SQL36E160**

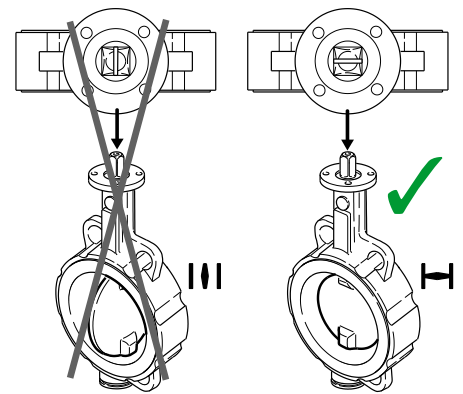


VKF46...

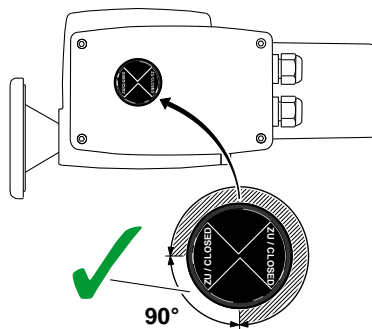


DN	X	DN	X
40...65	□ 11 mm	250...400	□ 22 mm
80...125	□ 14 mm	450...600	□ 32 mm
150...200	□ 17 mm		

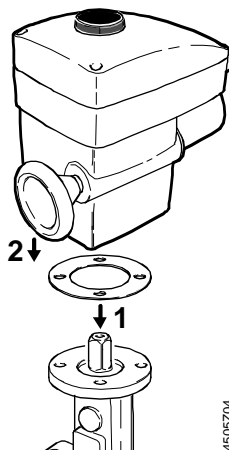
VKF46...



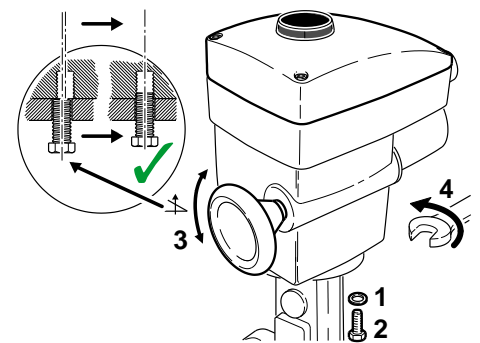
1



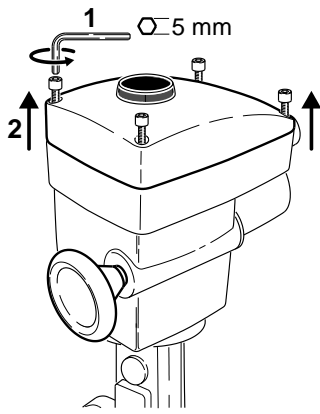
2



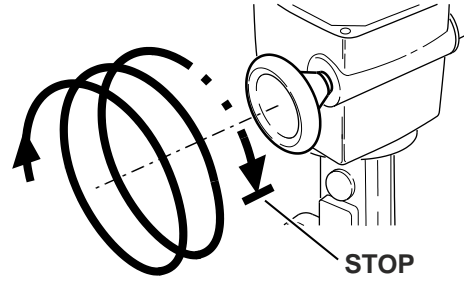
3



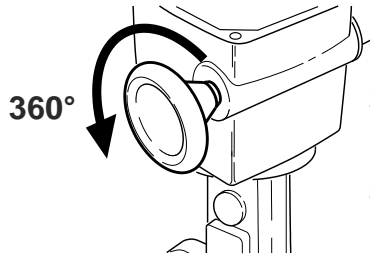
4



5



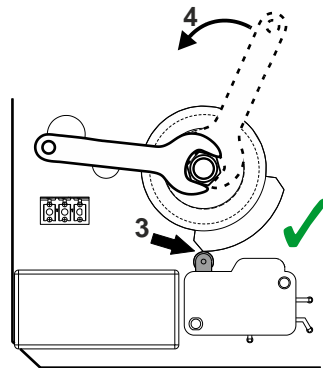
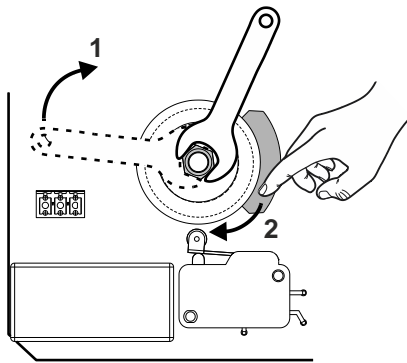
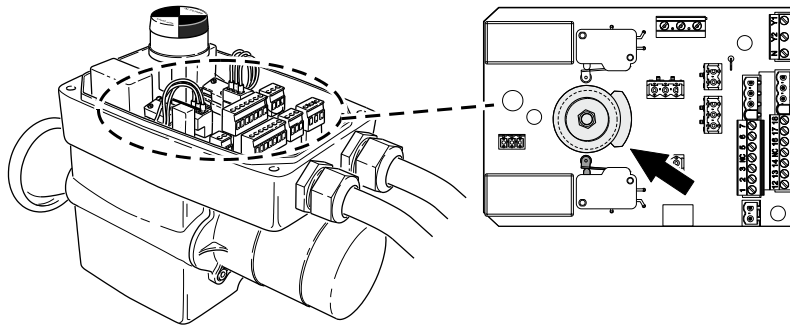
6



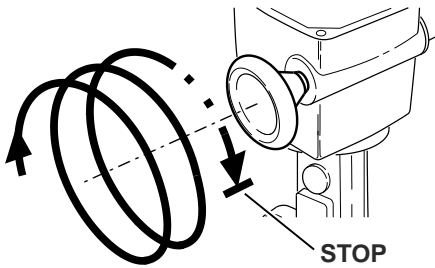
360° + click! = ⇒ 10

360° + ~~click!~~ = ⇒ 7

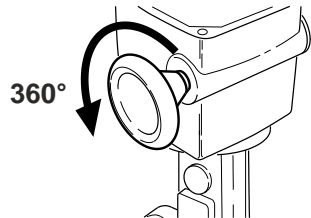
7



8



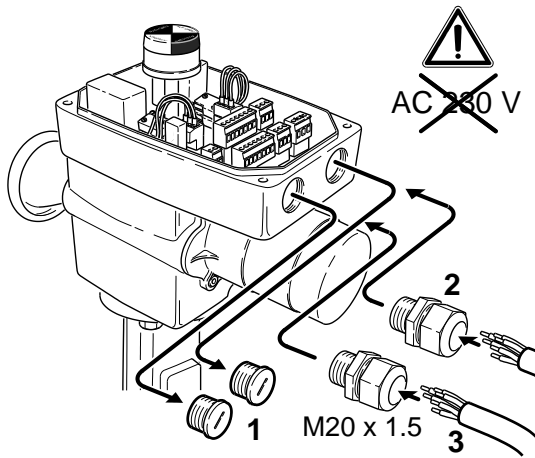
9



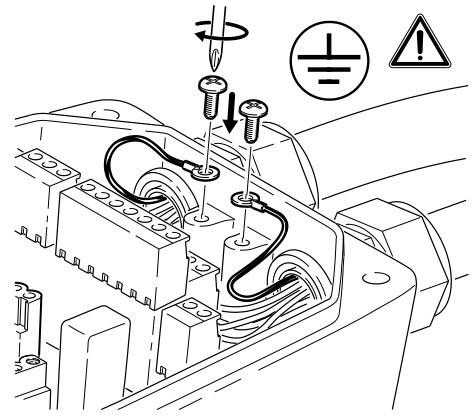
360° + click! = ⇒ 10

360° + ~~click!~~ = ⇒ 7

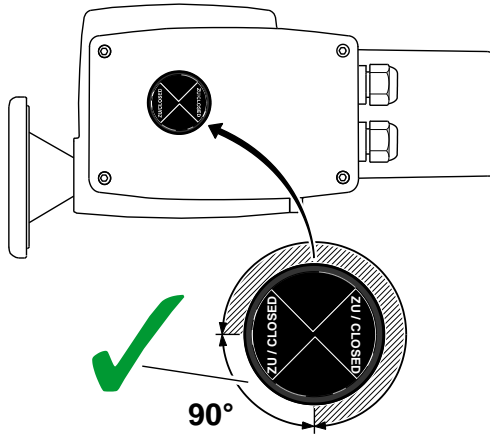
10



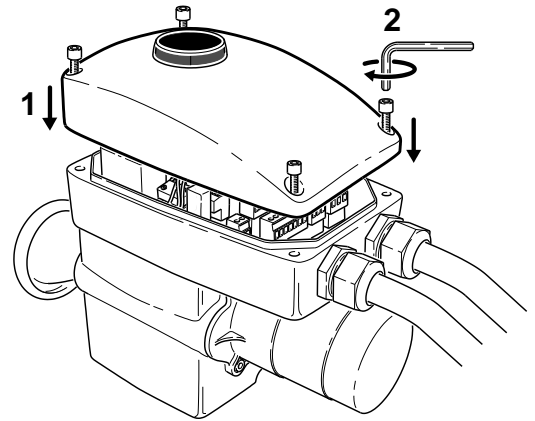
11



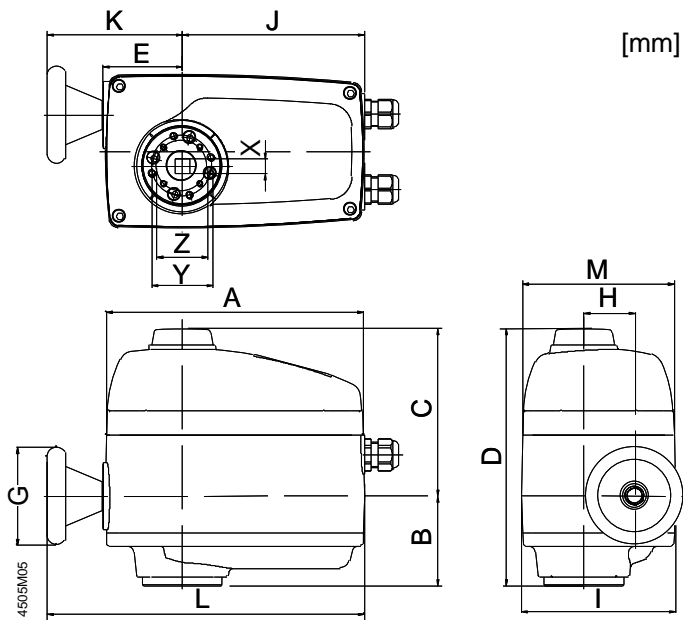
12



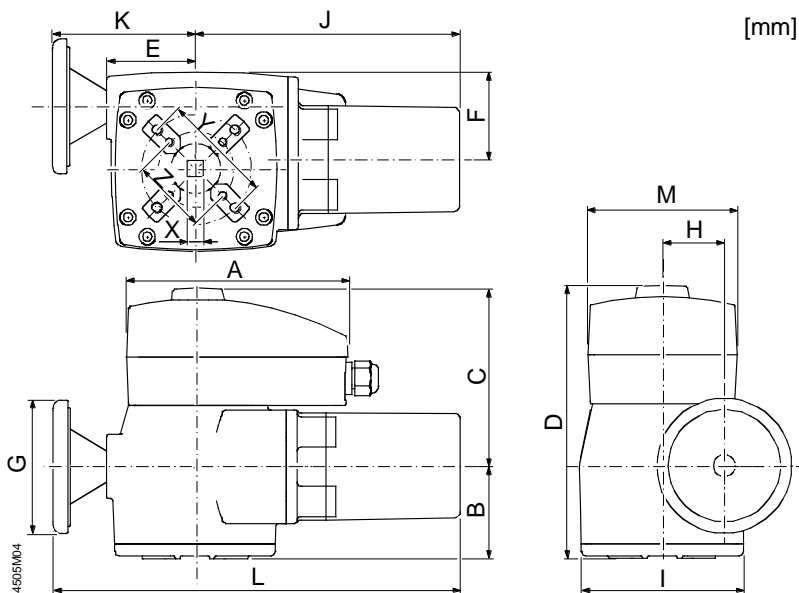
13







	SQL36E50F04	SQL36E50F05
<b>DN</b>	40...65	80...125
<b>A</b>	210	
<b>B</b>	73	
<b>C</b>	137	
<b>D</b>	210	
<b>E</b>	65	
<b>G</b>	Ø 80	
<b>H</b>	42	
<b>I</b>	126	
<b>J</b>	149	
<b>K</b>	110	
<b>L</b>	259	
<b>M</b>	124	
<b>X</b>	□ 11	□ 14
<b>Y</b>	42	
<b>Z</b>	50	
<b>EN 5211</b>	F04	F05
<b>kg</b>	4.5 kg	



	SQL36E65	SQL36E110	SQL36E160
<b>DN</b>	150...200	250...400	450...600
<b>A</b>	208	208	208
<b>B</b>	78	88	112
<b>C</b>	157	169	170
<b>D</b>	235	257	282
<b>E</b>	65	81	110
<b>F</b>	65	87	126
<b>G</b>	Ø 80	Ø 125	Ø 200
<b>H</b>	42	58	89
<b>I</b>	125	150	175
<b>J</b>	171	247	280
<b>K</b>	119	136	157
<b>L</b>	290	383	437
<b>M</b>	139	139	139
<b>X</b>	□ 17	□ 22	□ 32
<b>Y</b>	70	102	165
<b>Z</b>	50	70	125
<b>EN 5211</b>	F07	F10	
<b>kg</b>	7 kg	14 kg	25 kg





Issued by  
Siemens Switzerland Ltd  
Smart Infrastructure  
Global Headquarters  
Theilerstrasse 1a  
6300 Zug  
Switzerland  
Tel. +41 58-724 24 24  
[www.siemens.com/buildingtechnologies](http://www.siemens.com/buildingtechnologies)

© Siemens Switzerland Ltd, 2004  
Technical specifications and availability subject to change without notice.